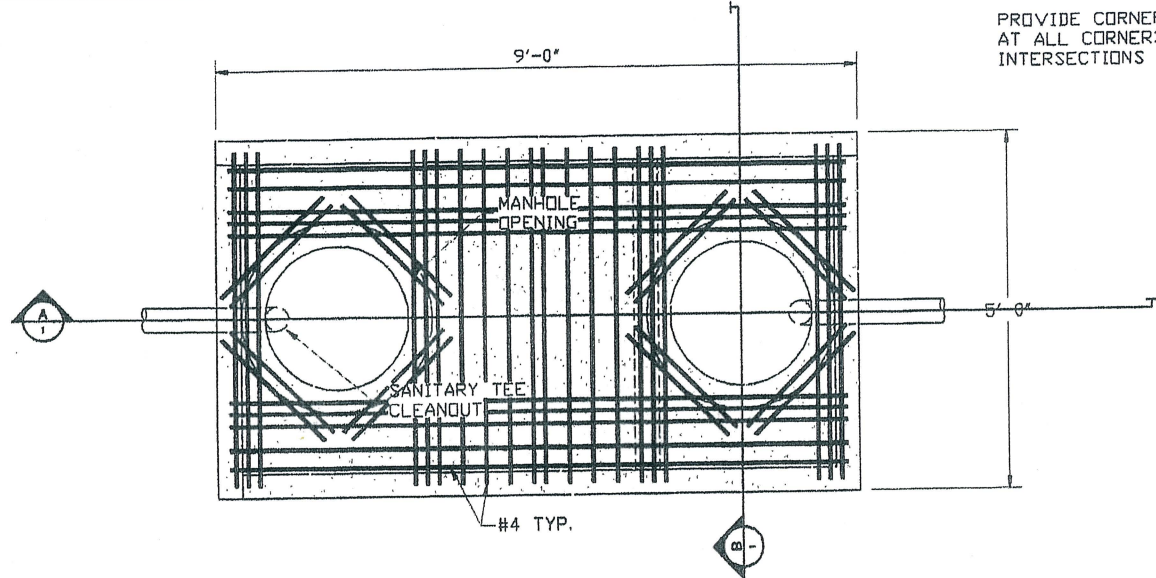
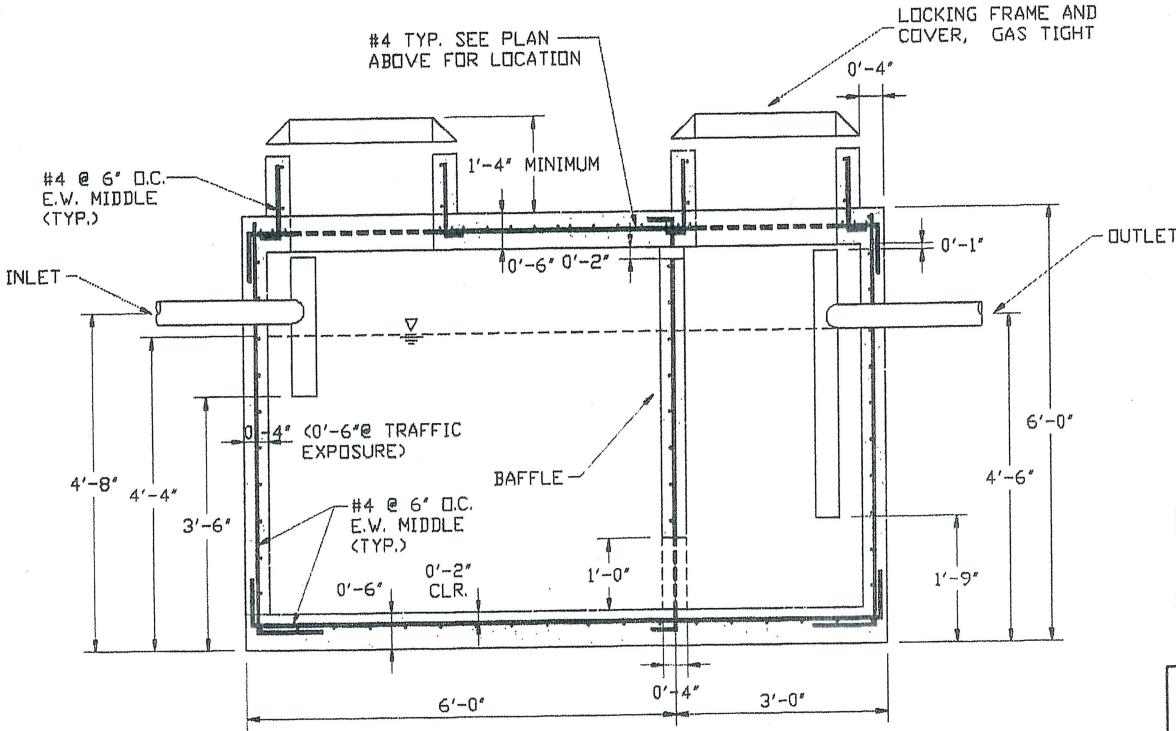
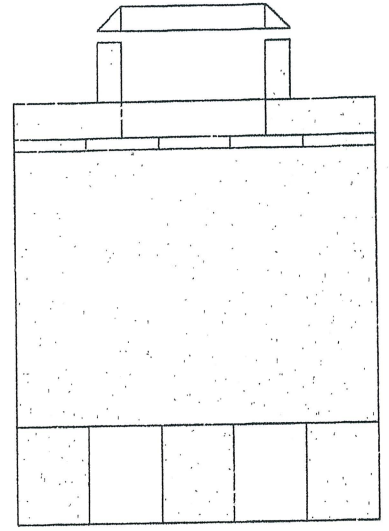


#1



PROVIDE CORNER BARS AT ALL CORNERS WALL INTERSECTIONS



NOTE CONTRACTOR TO SUPPLY & INSTALL 4" PVC PIPING AND SANITARY TEE'S AT INLET AND OUTLET

RECOMMENDED GREASE TRAP DESIGN FOR TRAFFIC AND NON-TRAFFIC CONDITIONS

NOTE: F'c = 4000 PSI MINIMUM.

Scale: 3/8" = 1'	Designed By: EBO
Date: 10/19/00	Drawn By: EBO